

RDSPL Video-Wall Mount 360

About us:

Ramp Display Solutions Private Limited is Pioneer in Video Wall Systems & Technologies; we are group of highly talented professionals with capability to provide end to end Video Wall engineering services & solutions for NOC Rooms, Control Rooms, Situation Rooms, and Retail Environment.

Video Wall Installation quality is fully dependable on Mount accuracy and preciseness. Being pioneer in Video Wall integrations; we Introduce Video Wall Mount with the principal of **“Ease of Installation”**

Ramp Display Wall Mounts are compatible with Display of all major OEM and supports all international standards & mounting guidelines.

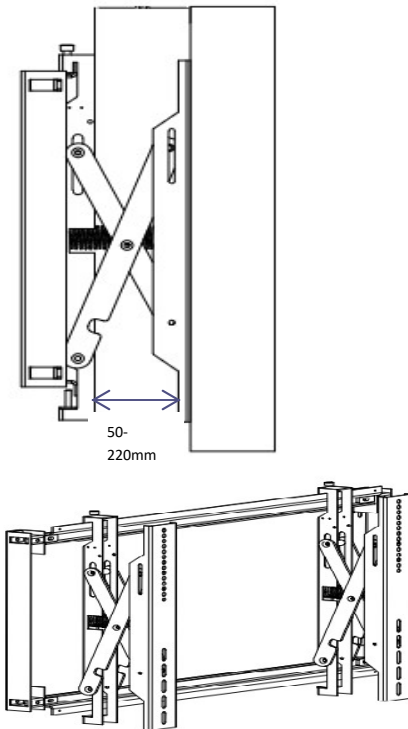
Features:

- Heavy Duty Mount with unlimited Video wall display configuration support.
- Ease to manage push-pull operations for installation and maintenance.
- This is multi-dimensional micro adjustment mount (360° Alignment), enables precision alignment of video wall configuration including depth, height & Tilt.
- Easily activate lock and unlock mode to secure displays
- Fits screens with VESA® mounting patterns.
- Unique Innovative **4 corner adjustment** for perfect alignment, on uneven surfaces



Specifications:

Mount Type	360° Push In/Out
Color	Black
Supported Panel Size	46" to 105" (all OEM)
Panel Mounting	VESA
Bracket Type	Push Pull
Alignment	3-Axis, 4 Corners
Max Size (Video Wall)	No Limitation
Max Supported Load/Panel	120kg
Distance to wall	50mm to 90mm
Delivery	Immediate



To Know More About Ramp Display Solutions Private Limited:

www.rampdisplay.com

Or Contact:

Mr. Sunil Mewara

Mobile: 8800681157

Email: sunil@rampdisplay.com

C-128, Sector65 Noida (U.P) INDIA